

FUTURA PLUS



As a further development in our FUTURA series, model FUTURA PLUS with increased capacities has been developed, offering the possibility to fold e.g. 3 meter sheets in 3 mm thickness (120" x 12 ga)

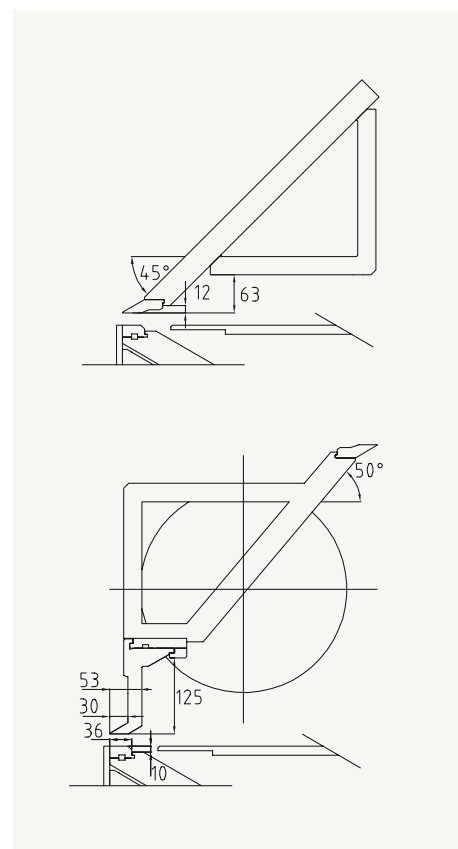
- Like Model FUTURA model FUTURA PLUS has CS-301 graphic control system in its basic execution.
- Model FUTURA PLUS is supplied with twin drive of folding beam as standard
- Also model FUTURA PLUS may be supplied with Combi Clamping Beam, prepared for tools up to 200 mm (8") height. Change of tool height does not require any machine change.
- If provided with Combi Clamping Beam FUTURA PLUS may also be supplied with the **Multifold tool system**, i.e. with divided tools in lower and folding beams and with height adjustable back gauge. With these options, the machine will have divided rails in all 3 beams, making it possible to fold even very complicated profiles.
- FUTURA PLUS is patented due to several revolutionary construction solutions.

STANDARD EQUIPMENT

- Standard clamping beam
- Twin drive of folding beam
- Control System CS-301
- Manual crowning of folding beam rail
- Motorized adjustment of sheet thickness
- Frequency controlled folding movement
- 15 mm folding beam rail
- 40 mm folding beam rail

OPTIONS

- Combi Clamping beam with 125 mm (5") high divided rail with standard tool change system
- Quick change tools in Combi Clamping Beam (125 mm - 5")
- Quick change tools 150 mm (6") or 200 mm (8") high
- Multifold tool system (with Combi Clamping beam only)
- 10 or 20 mm folding beam rail
- Automatic lubrication



Model	Folding length	Capacity*			Opening height	Recesses clamping beam	Outside dimensions without back gauge	Weight with combi clamping beam		Motor	
		Steel	Stainless Steel	Aluminium				Clamping Beam	Length x Width x Height	kg / lbs	Clamping Beam kW
	mm / "	mm / ga	mm / ga	mm / ga	mm / "	mm / "	mm / "				
FUTURA PLUS-20	2100 / 80	4.00 / 9	3.00 / 12	6.00 / ¼"	200 / 8	60x64 / 2 ³ / ₈ x2½	3100x1590x1795 / 122x63x71	3650 / 8050	2.2	1.5+1.5	
FUTURA PLUS-25	2600 / 100	3.50 / 10	2.50 / 13	5.00 / 6	200 / 8	60x64 / 2 ³ / ₈ x2½	3600x1590x1795 / 142x63x71	4115 / 9073	2.2	1.5+1.5	
FUTURA PLUS-30	3100 / 120	3.00 / 12	2.00 / 14	4.50 / 7	200 / 8	60x64 / 2 ³ / ₈ x2½	4100x1590x1795 / 162x63x71	4570 / 10075	2.2	1.5+1.5	
FUTURA PLUS-37	3750 / 145	2.00 / 14	1.25 / 18	3.00 / 12	200 / 8	60x64 / 2 ³ / ₈ x2½	4850x1590x1795 / 191x63x71	5160 / 11375	2.2	1.5+1.5	
FUTURA PLUS-40	4100 / 160	2.00 / 14	1.25 / 18	3.00 / 12	200 / 8	60x64 / 2 ³ / ₈ x2½	5100x1590x1795 / 201x63x71	5480 / 12080	2,2	1.5+1.5	

* with combi clamping beam with 125 mm tool

FUTURA



Based on the PRO-Line series model FUTURA is a new patented development especially for the segment of 1.5-3.0 mm (16-12 ga) sheets. The FUTURA is built in a modern and new design, and at the same time it is extremely flexible in its construction.

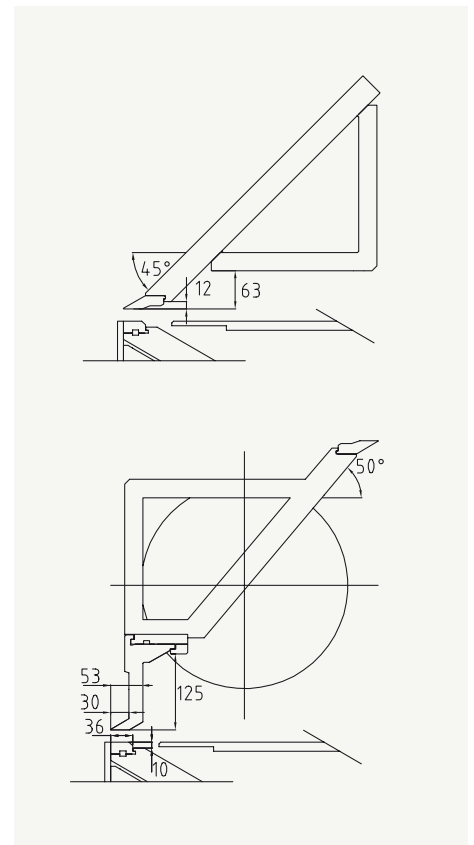
- In its basic execution FUTURA has CS-301 graphic control system.
- FUTURA may be supplied with Combi Clamping Beam, prepared for tools up to 200 mm (8") height. Change of tool height does not require any machine change.
- If provided with Combi Clamping Beam FUTURA may also be supplied with the **Multifold tool system**, i.e. with divided tools in lower and folding beams and with height adjustable back gauge. With these options, the machine will have divided rails in all 3 beams, making it possible to fold even very complicated profiles.
- FUTURA is patented due to several revolutionary construction solutions.

STANDARD EQUIPMENT

- Standard clamping beam
- Control System CS-301
- Manual crowning of folding beam rail
- Manual adjustment of sheet thickness
- 10 mm folding beam rail
- 20 mm folding beam rail

OPTIONS

- Combi Clamping beam with 125 mm (5") high divided rail with standard tool change system
- Quick change tools in Combi Clamping Beam (125 mm - 5")
- Quick change tools 150 mm (6") or 200 mm (8") high
- Multifold tool system (with Combi Clamping beam only)
- Frequency controlled folding movement
- Motorized adjustment of sheet thickness
- 15 or 40 mm folding beam rail
- Automatic lubrication



Model	Folding length	Capacity*			Opening height	Recesses clamping beam	Outside dimensions without back gauge	Weight with combi clamping beam	Motor	
		Steel	Stainless Steel	Aluminium					Clamping Beam	Clamping Beam
	mm / "	mm / ga	mm / ga	mm / ga	mm / "	mm / "	Length x Width x Height	kg / lbs	kW	kW
FUTURA-20	2100 / 80	3.00 / 12	2.00 / 14	4.50 / 7	200 / 8	60x64 / 2 ³ / ₈ x2 ¹ / ₂	3100x1590x1795 / 122x63x71	3450 / 7606	2.2	2.2
FUTURA-25	2600 / 100	2.50 / 13	1.50 / 16	4.00 / 9	200 / 8	60x64 / 2 ³ / ₈ x2 ¹ / ₂	3600x1590x1795 / 142x63x71	3890 / 8576	2.2	2.2
FUTURA-30	3100 / 120	2.00 / 14	1.25 / 18	3.00 / 12	200 / 8	60x64 / 2 ³ / ₈ x2 ¹ / ₂	4100x1590x1795 / 162x63x71	4320 / 9524	2.2	2.2
FUTURA-37	3750 / 145	1.50 / 16	0.90 / 21	2.50 / 13	200 / 8	60x64 / 2 ³ / ₈ x2 ¹ / ₂	4850x1590x1795 / 191x63x71	4880 / 10759	2.2	2.2
FUTURA-40	4100 / 160	1.50 / 16	0.90 / 21	2.50 / 13	200 / 8	60x64 / 2 ³ / ₈ x2 ¹ / ₂	5100x1590x1795 / 201x63x71	5180 / 11420	2.2	2.2

* with combi clamping beam with 125 mm tool